



# MANUAL



## WIRELESS MINI SOCKET SWITCH PLUG MYCR-2300

### CONTENTS

---

1. Overview and features	Page 2.
2. Pairing / Un-pairing device	Page 3.
3. Specifications	Page 8.

# 1. Overview and features

Transform your electronic devices to wireless control with the compact socket switch plug.

All you need to do is plug the socket switch into an electrical outlet, plug a device into the socket switch, and control your device wirelessly using a remote control.

## **Main features;**

- Compatible to L and M series'.
- 2300W maximum resistive load control.
- Plugs into any regular electrical wall outlet.
- Intuitive, easy set up. Easy to use.
- 32 memories, first in first out storage maintain.
- Scene status memory, create your desired atmosphere.



Not compatible to:

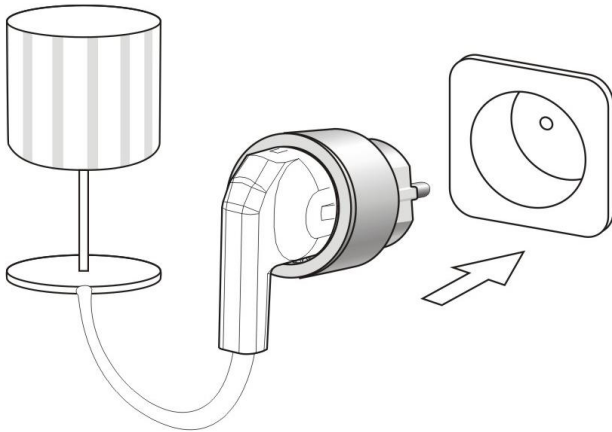
ARC Code switch system product range

## 2. Pairing / Un-pairing Device

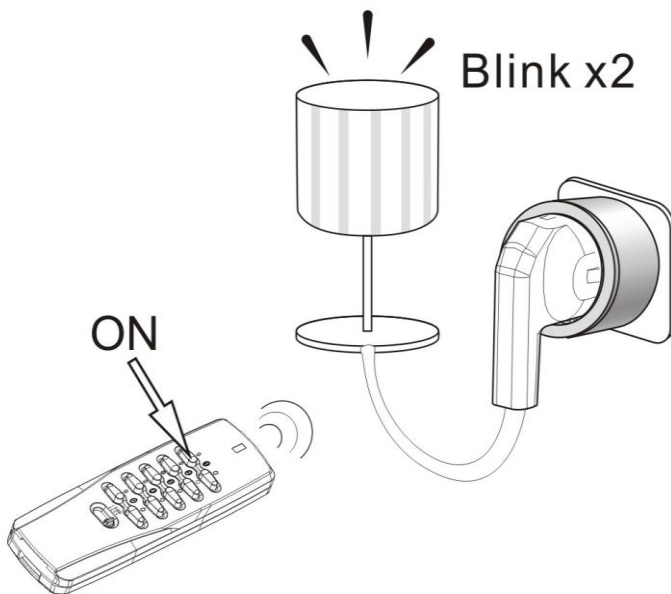
### PAIRING

Pairing using **LEARNING MODE**:

1. Plug in lamp / electronic device into socket switch then socket switch into an electrical outlet



2. Within 6 seconds, on the remote control press the 'ON' button intend to be paired; load will flash twice to confirm that the remote control is now paired.

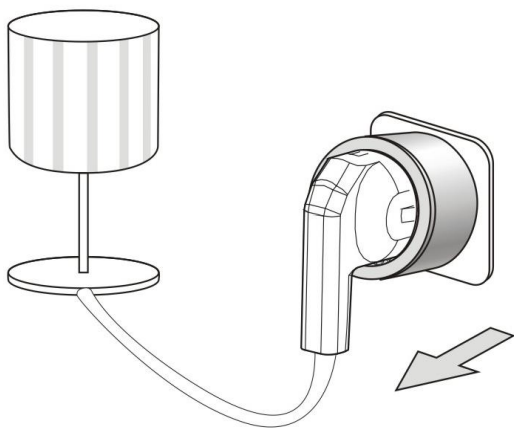


**NOTE:** If no signal is received from a remote control within 6 seconds then the socket switch will automatically exit learning mode without pairing the device.

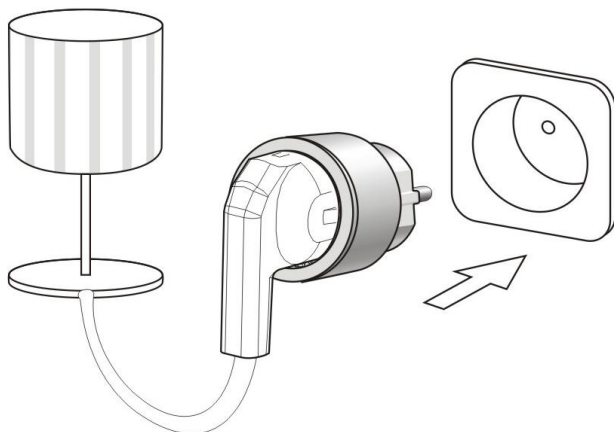
## UN-PAIRING

### Removing single Device:

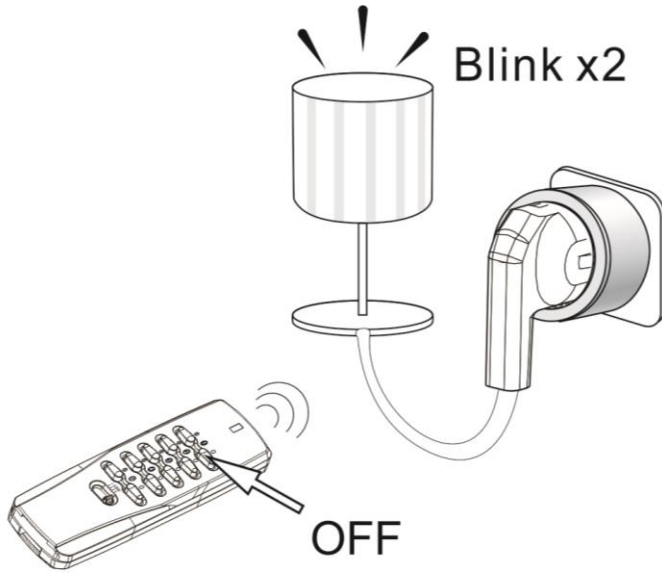
1. Unplug socket switch from the electrical outlet for at least 6 seconds.



2. Plug socket switch back into electrical outlet.



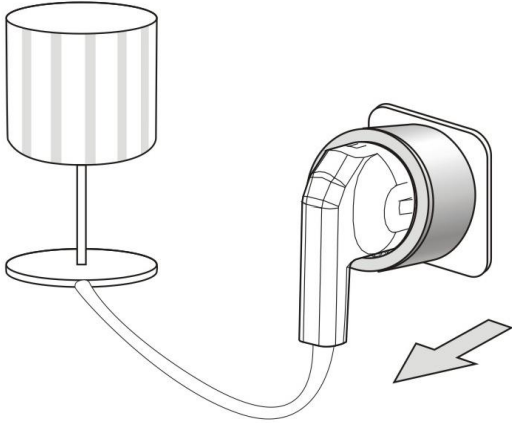
3. Within 6 seconds, on the remote control press the **'OFF'** button intend to be un-paired; load will flash twice to confirm that the remote control is un-paired.



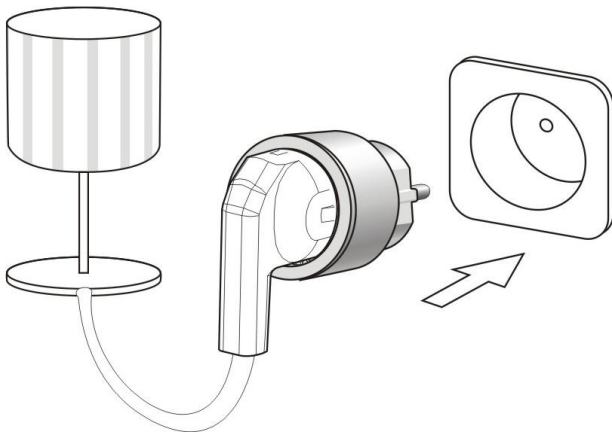
## CLEARING ALL MEMORY

Removing all memory stored in the socket switch.

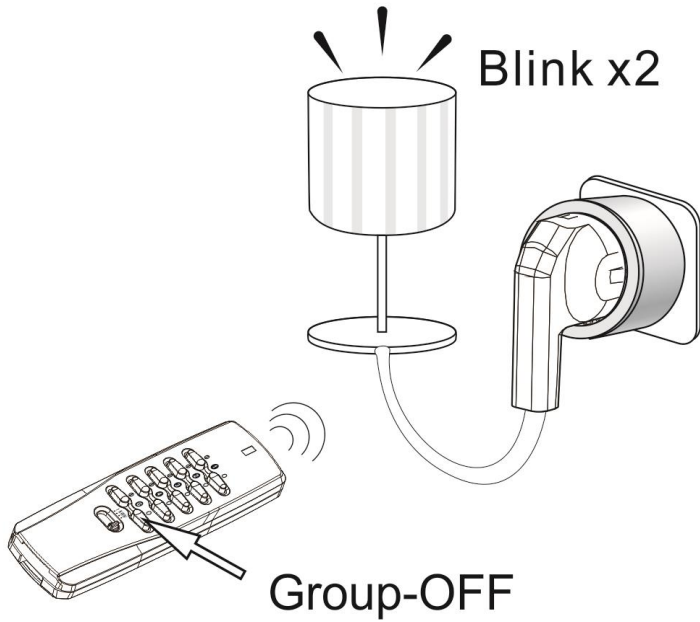
1. Unplug socket switch from the electrical outlet for at least 6 seconds.



2. Plug socket switch back into electrical outlet.



3. Within 6 seconds, on the remote control press the **'ALL OFF / GROUP ALL'** button; load will flash twice to confirm all memory stored inside the socket switch has been deleted.



### 3. Specifications

Input Rating:	230V~50Hz
Output Rating:	2300W (Resistive Load)
Radio Frequency:	433.92MHz
Power consumption:	<1W
Environment Temperature:	0-40 °C
Range:	up to 50 m indoors (Depends on building materials)
In accordance with:	Low Voltage Directive 2014/35/EU RED Directive 2014/53/EU
CE Certification:	The CE marked affixed to this product confirms its compliance with the European Directives which apply to the product and in particular its compliance with the harmonized standards and specifications.



Dimension (L x W x H)	48 x 50mm (D x H)
Weight:	60 g

#### **NOTE**

- Please leave minimum of 1.5 meters in-between 2 or more socket switch.