



# MANUAL



## WIRELESS MINI SOCKET MODULE MSOR-3500

### CONTENTS

---

1. Overview and features	Page 2.
2. Diagrams	Page 3.
3. Installation – Wiring	Page 4.
4. Pairing / Un-pairing device	Page 12.
5. Specifications	Page 14.

## 1. Overview and features

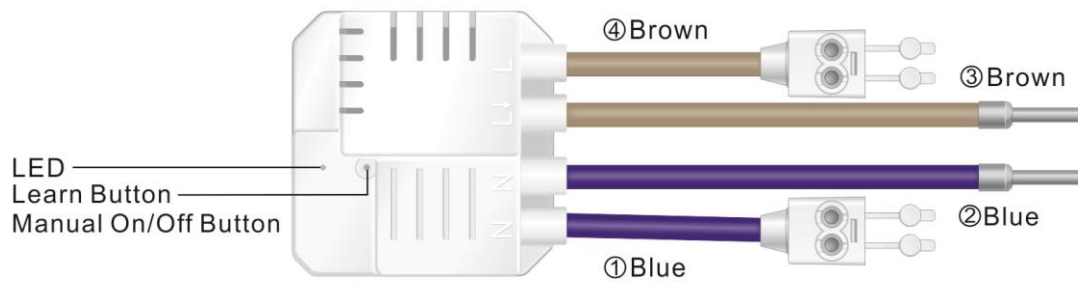
Unique high power 3500W (16A) mini socket module that can easily transform your existing wall socket into wireless control.

### **Main features;**

- Compatible to L and M series.
- Small compact size for installation into wall box.
- 32 memories, first in first out storage maintain.
- Scene status memory, create your desired atmosphere.

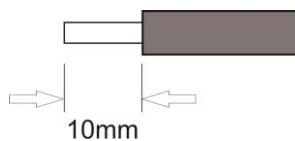
## 2. Diagrams

Notes for the diagrams:




- ❶ Neutral in – Blue
- ❷ Neutral out – Blue
- ❸ Live in – Brown
- ❹ Live out – Brown

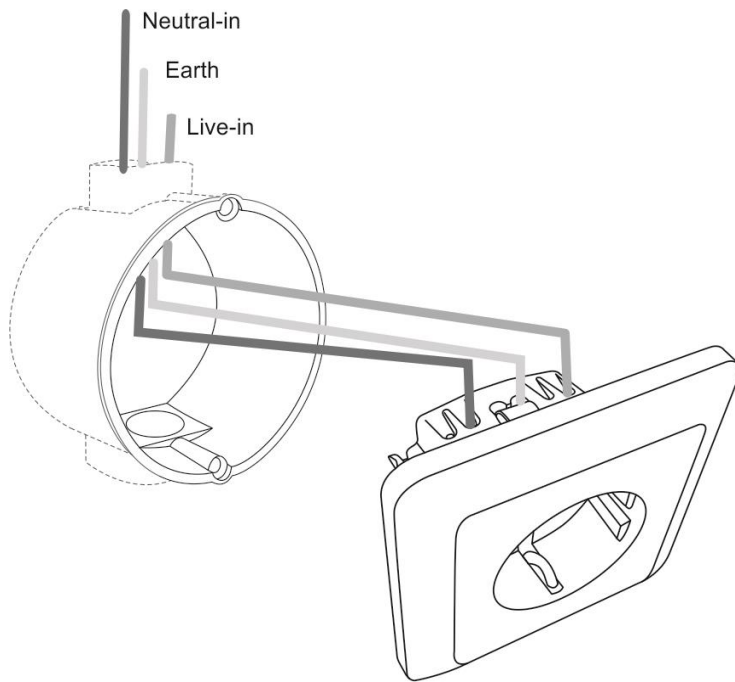
- Strip the solid wires (rigid conductor only) at least 10mm then connect the wires as per diagrams below, ensure terminals are properly tightened and no bare wire is visible.
- Suitable wire size for terminal clamp is 1.6mm<sup>2</sup> to 2.5mm<sup>2</sup>



### 3. Installation - Wiring

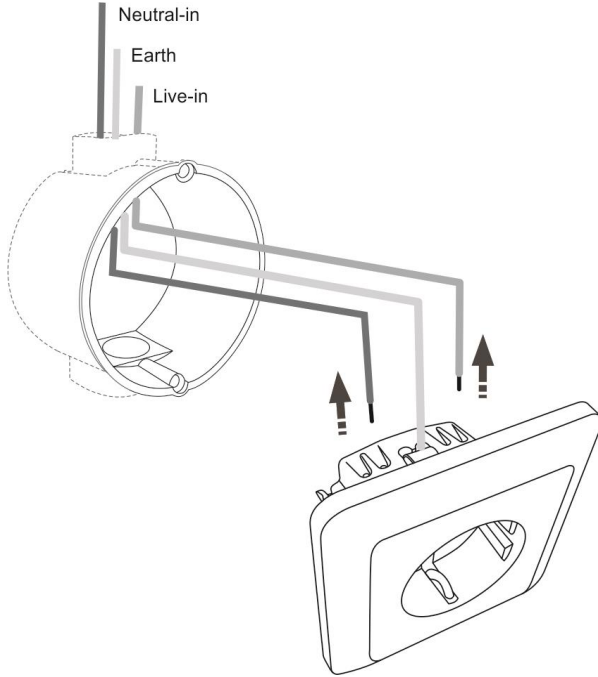
 Cut off main power before installing and wiring.

Current existing house wiring should be as below.

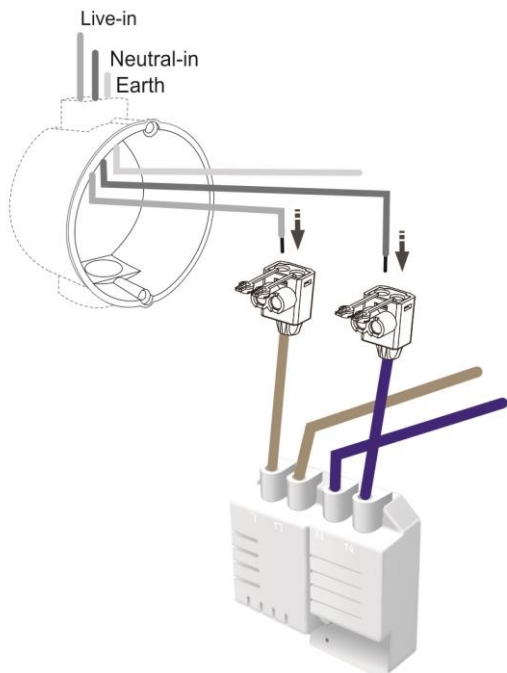


**Add mini socket module to transform wall socket with wireless feature.**

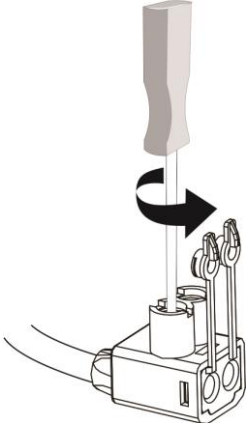
1. Remove current Live-in AC 230V wire & Neutral-in AC 230V wires from the wall socket terminals and leave wall socket aside for later wiring.



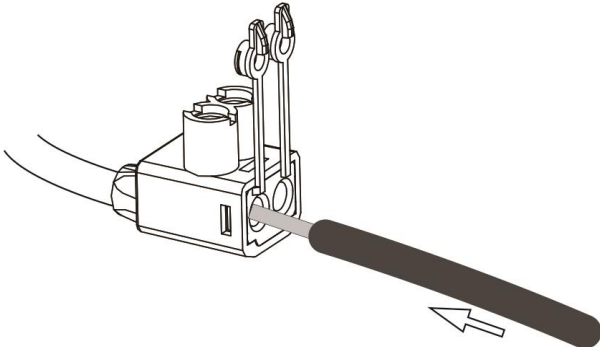
2. Connect Live-in AC 230V wire & Neutral-in AC 230V wires into each terminal.



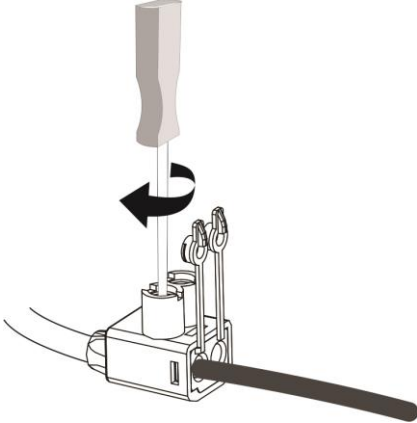
3. Loosen terminal screw(s).



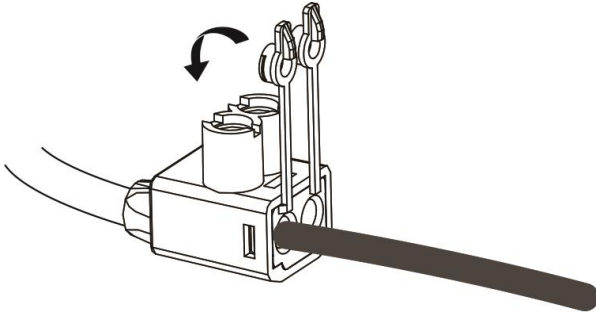
4. Insert wire into terminal.



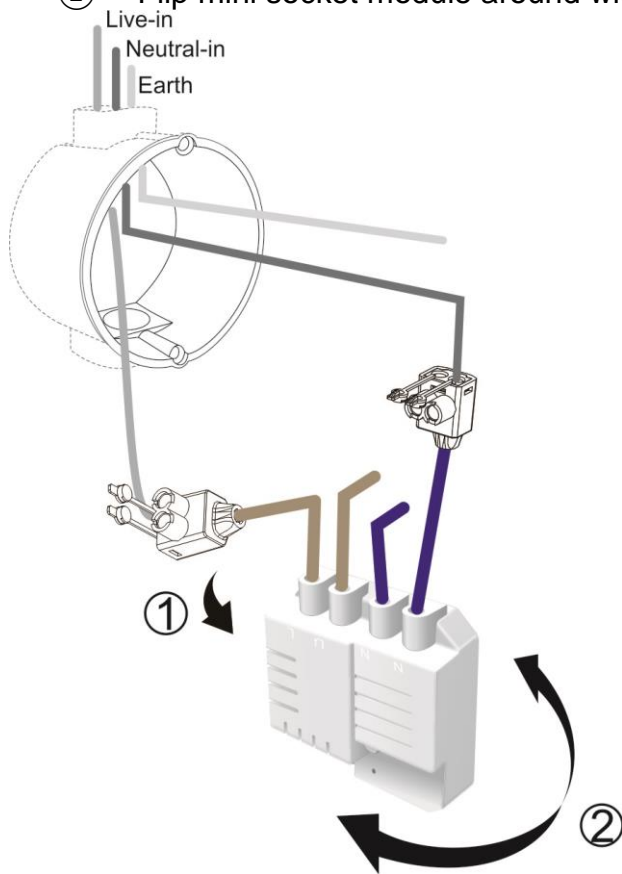
5. Tighten terminal screw(s).



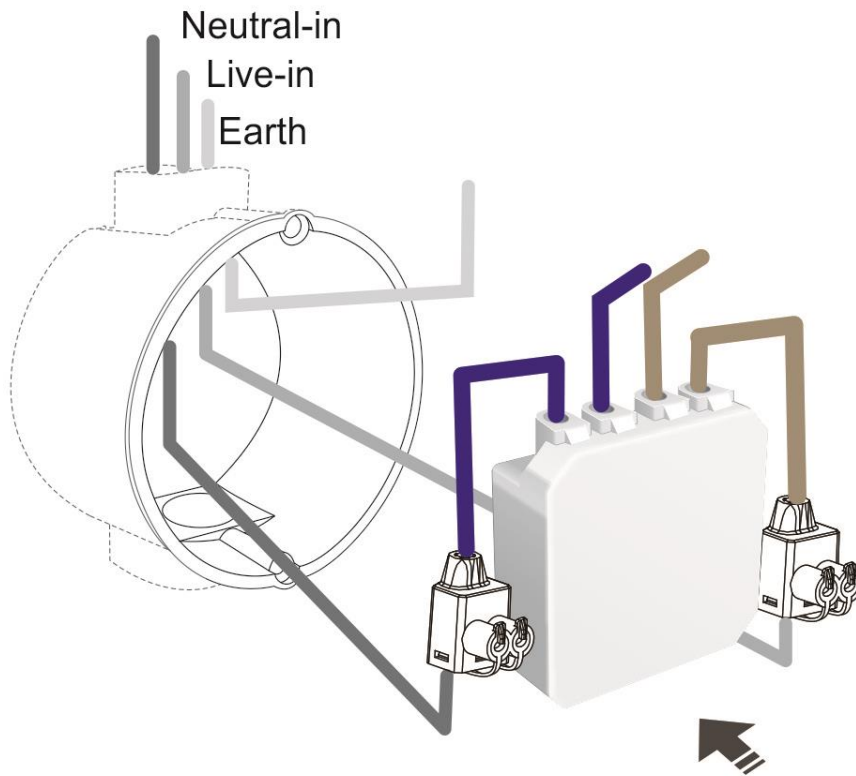
6. Close terminal cap to insulate screw(s) from any bare wires or metal parts.



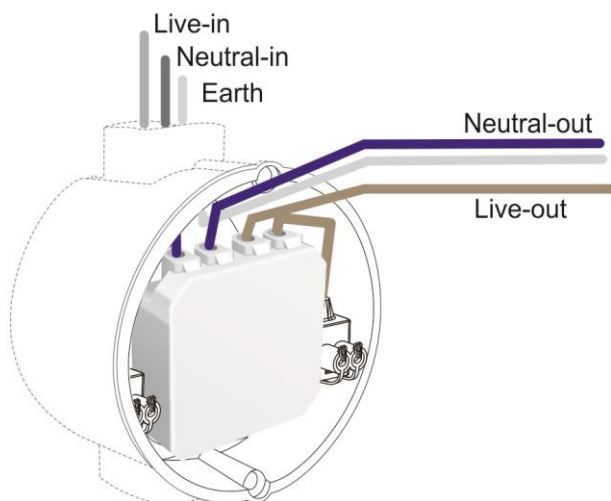
7. ① Twist both terminal clamps to the side of module.  
② Flip mini socket module around with back side facing towards you.



8. The antenna is located on the back side of module.  
To avoid interference of antenna reception do not cover mini socket module with any bare wires.

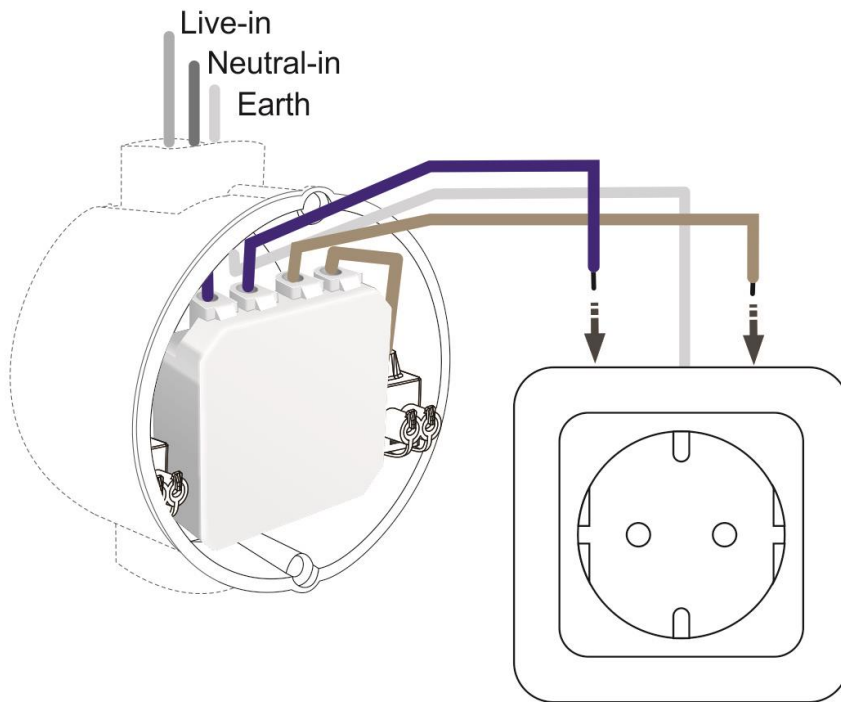


9. Gently install mini socket module into back box.

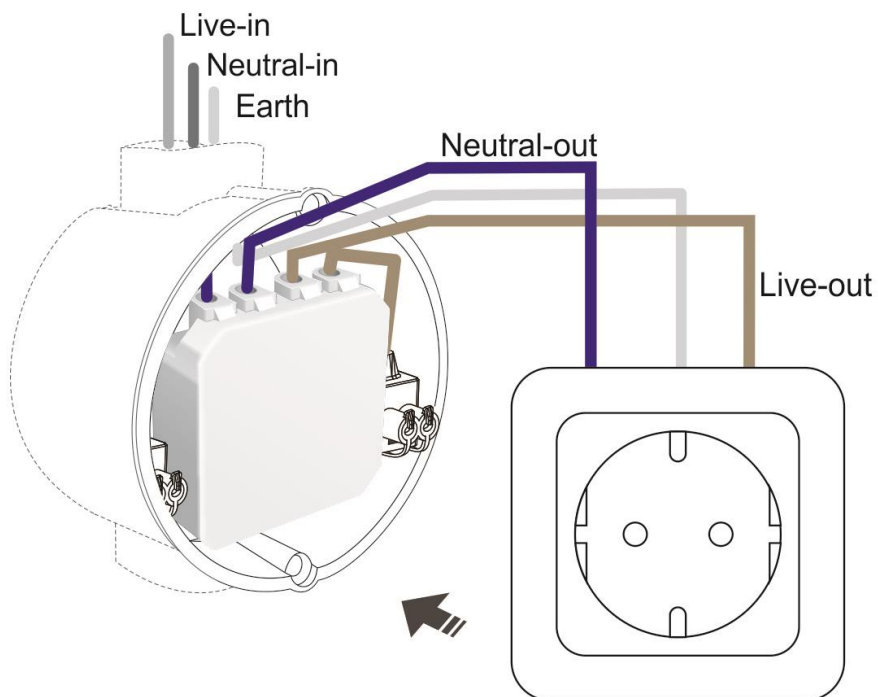




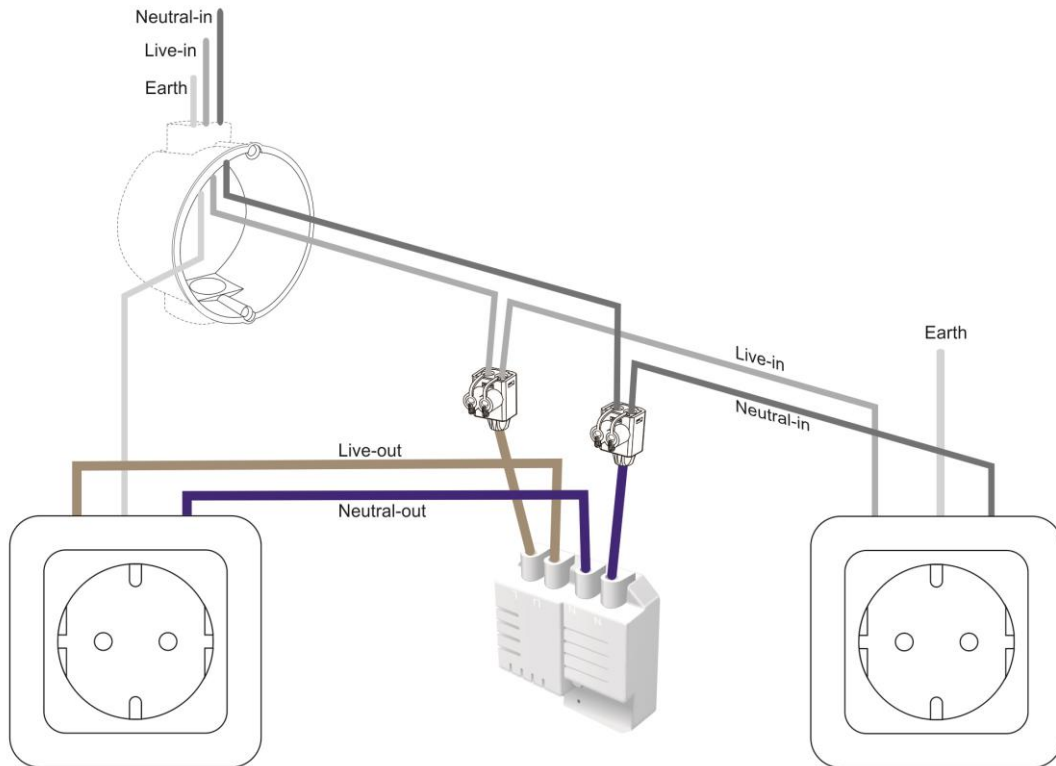
10. Connect AC Live-out & Neutral-out wires into wall socket terminals.



11. Tidy wires and affix back the wall socket making sure no bare wires are in front of the mini socket module.

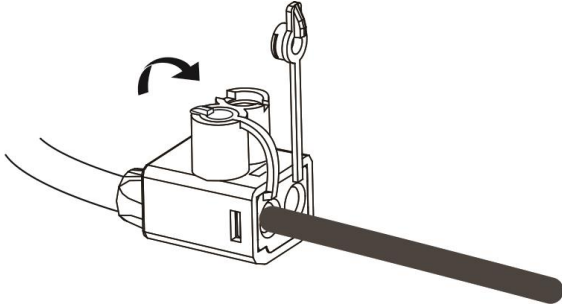


12. Connect back mains power supply, LED on mini socket module will illuminate for 10 seconds to show that the wires are connected correctly.
13. Each clamp has 2 terminals, if wires need to be looped to another wall socket, please install the wires shown below;

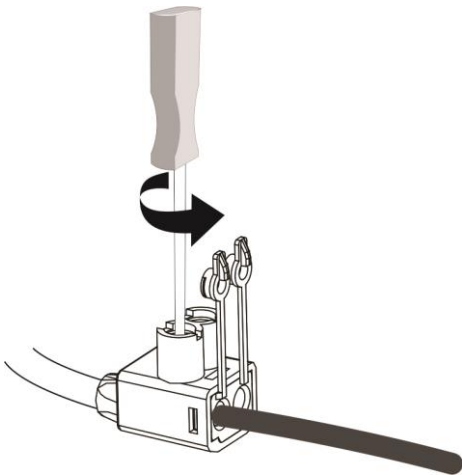


## Removing wire(s) from terminal clamp.

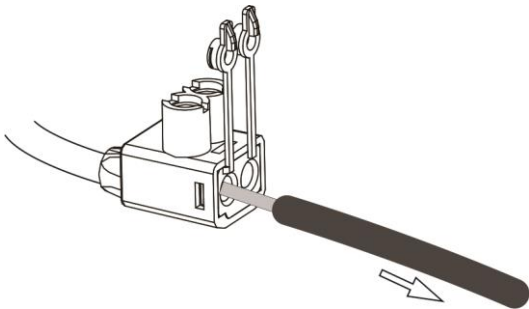
1. Open terminal cap



2. Loosen terminal screw(s)



3. Gently pull out wire(s)

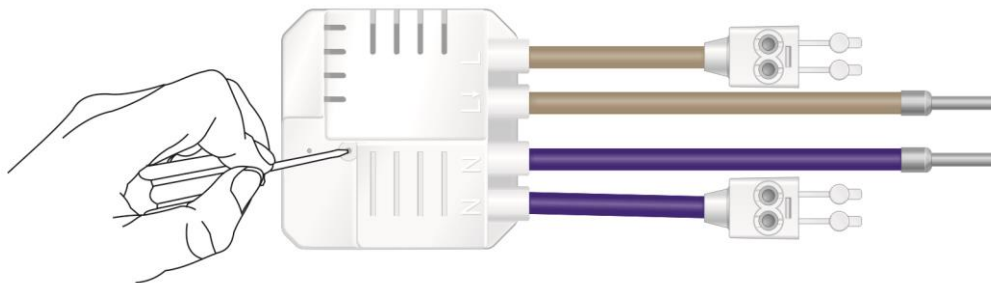


## 4. Pairing / Un-pairing Device

### PAIRING

Pairing using **LEARNING MODE**:

1. Press '**Learn**' button once (LED on module will flash), this will enter learning mode.



2. With a remote control press the '**ON**' button; LED on module will flash to confirm that the remote control is now paired.

**NOTE:** If no signal is received from a remote control within 12 seconds then the module will automatically exit learning mode without pairing the device. To exit learning mode manually, simply press the '**Learn**' button again.

## UN-PAIRING

### **Removing single Device:**

1. Press '**Learn**' button once (LED on module will flash), this will enter learning mode.
2. With a remote control press the '**OFF**' button intended to be un-paired; LED on module will flash to confirm that the remote control is un-paired.

## CLEARING ALL MEMORY

Removing all memory stored in the module.

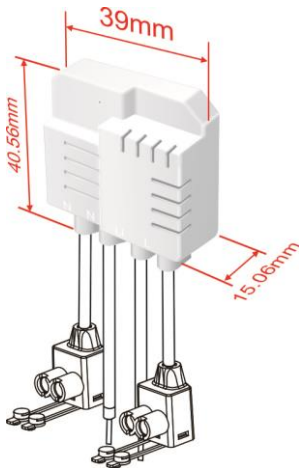
1. On the module hold down the '**Learn**' button for 6 seconds, LED on module will flash.
2. Release button then press again, this will remove all memory stored in the module.

## 5. Specifications

Input Rating:	230V~50Hz
Output Rating:	16 Amps / 3500W (Resistive Load)
Radio Frequency:	433.92MHz
Power consumption:	<1W
Environment Temperature:	0-40 °C
Range:	up to 50 m indoors (Depends on building materials)
In accordance with:	Low Voltage Directive 2014/35/EU RED Directive 2014/53/EU
CE Certification:	The CE marked affixed to this product confirms its compliance with the European Directives which apply to the product and in particular its compliance with the harmonized standards and specifications.



Dimension (L x W x H)	39 x 40.56 x 15.06mm
Weight:	35 g



### **NOTE**

- Please leave minimum of 1.5 meters in-between 2 or more modules.
- When inserting module into back box make sure excess wires do not cover module's back side. This may reduce the performance of radio transmission.
- During standby mode, LED on module will not illuminate.