

Wireless On/Off Receiver Module

LCMR-1000



Specification


Function:	On / Off
Frequency:	433.92MHz
Input Rating:	220V-240V~ /50Hz.
Output Rating:	Max. 1000W Resistive Load

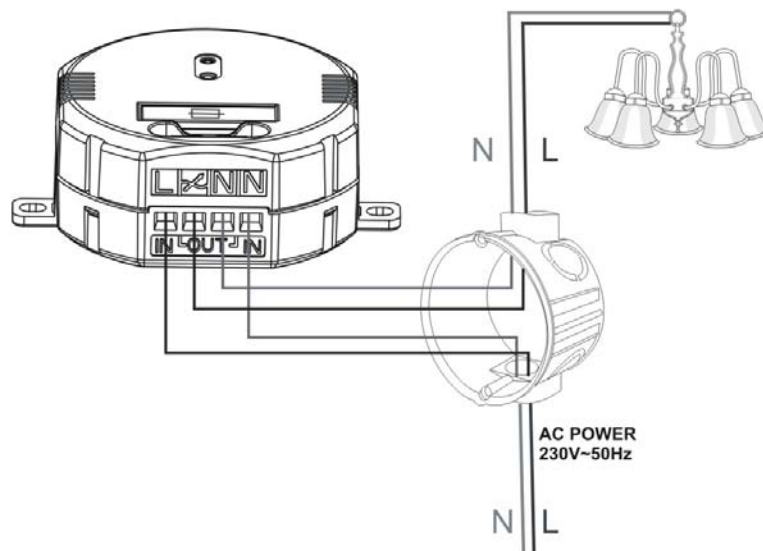
Overview

Wireless on/off receiver module
Easy install into wall or ceiling box.
Changeable fuse.
Can pair up to 6 different remote controls.
Maximum load 1000 Watt

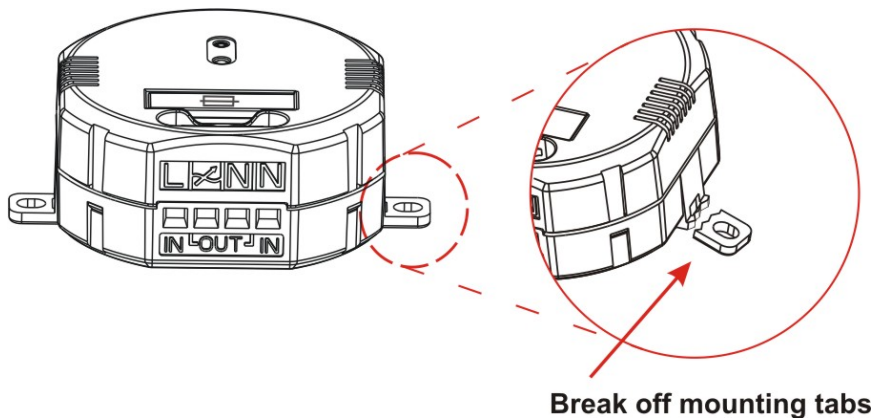
Preparation for installation and use

WIRING

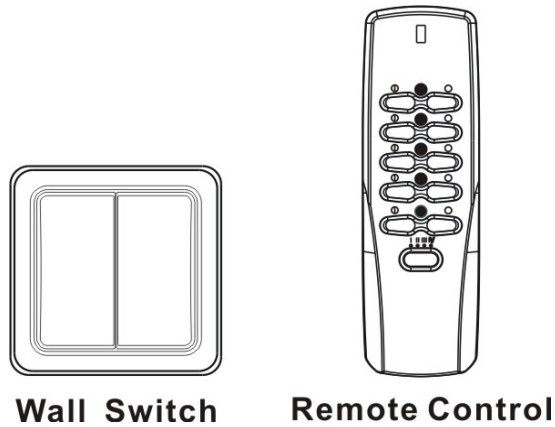
1. Turn Off mains power before installing and wiring.
2. Connect AC 230V Live / Neutral wire into [IN]
Live wire into outer left terminal L.
Neutral wire into outer right terminal N.
3. Connect 2 wires into [OUT]
2 output wires into inner terminal  and inner terminal N
4. Tighten the terminal screws.



5. To install module into wall / ceiling box, break off the mounting tabs.



6. Turn On mains power and proceed pairing module with wireless wall switch or remote control.



Pairing Receiver

※ Important※

Load (s) must be under 'OFF' state when performing 'pairing' and 'un-pairing' mode.

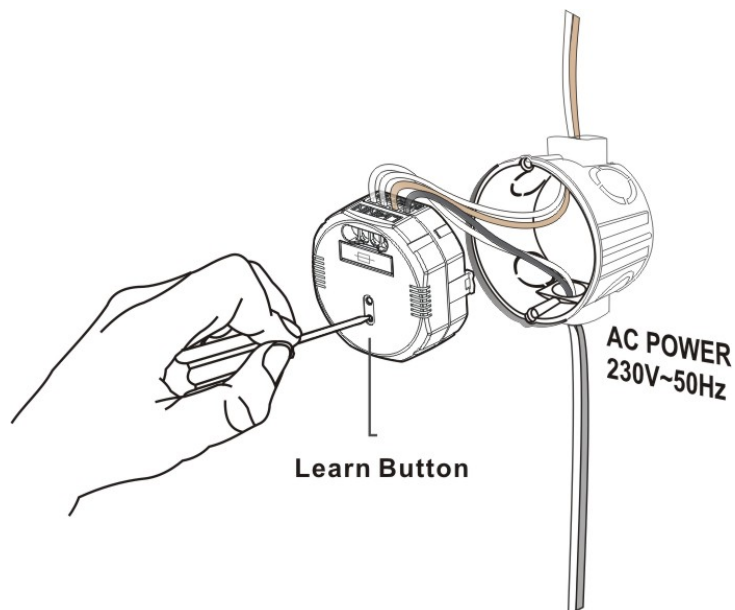
Module can pair with up to 6 different remote controls at any one time as it has 6 memories.

Module is not compatible to "Code Switch" remote controls.

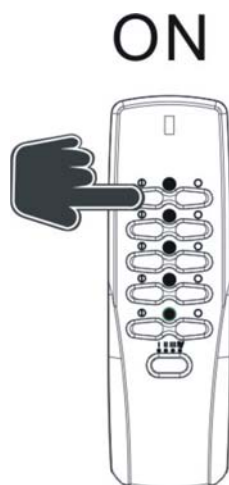
Only compatible to "Self Learning" remote controls.

Pairing using **LEARNING MODE**:

1. On the module press the '**Learn**' button once (LED on module will flash), this will enter learning mode.



2. With a remote control press the 'ON' button intended to be paired; load(s) will flash twice to confirm that the remote control is now paired.



NOTE: Learning mode lasts for 12 seconds; if no signal is received from a remote control during this time then the module will automatically exit learning mode without pairing the device.

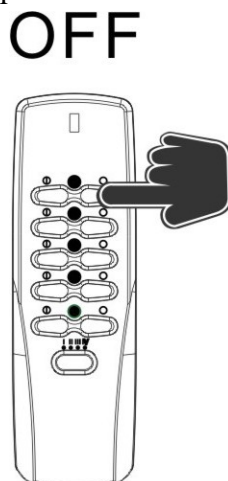
To exit learning mode manually, simply press the 'Learn' button again.

! If during learning mode the module does not react and LED on module continues to flash, this means that the module's memory is **FULL** and no further remote control may be paired unless one of the existing remote control is first unpaired (see below).

Un-pairing Receiver

Removing single device:

1. On the module press the 'Learn' button once (LED on module will flash), this will enter learning mode.
2. With a remote control press the 'OFF' button intended to be un-paired; load(s) will flash twice to confirm that the remote control is un-paired.



Clearing Memory (will remove all paired remote controls):

On the module press the '**Learn**' button for 6 seconds (LED on module will flash), release then press once again. Load(s) will flash twice to confirm that all remote control is unpaired.

Operation

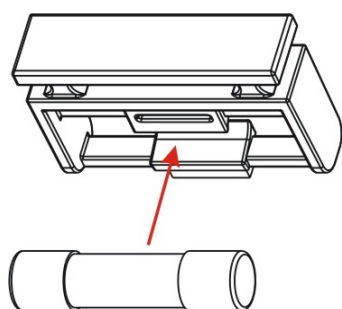
ON/OFF Function:

Press the 'ON' button on wall switch, the lights will gradually illuminate.

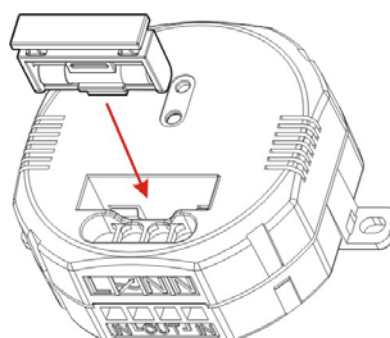
Press the 'OFF' button on wall switch, the light will gradually turn OFF.

Fuse Change

In any case of overloading, the fuse will activate. To change fuse simply remove the fuse compartment and replace a new T5A H250V fuse.



STEP 1



STEP 2

Cautions

Please leave minimum of 1.5 meters in-between 2 or more receivers.