

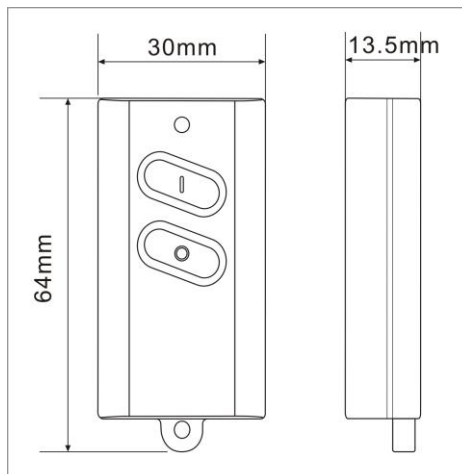
Wireless Remote Keychain

LKCT-614



Specification:

Function: On / Off / Dimmer
Frequency: 433.92MHz
Battery: 3V CR2032 Lithium Cell Battery
Dimension:



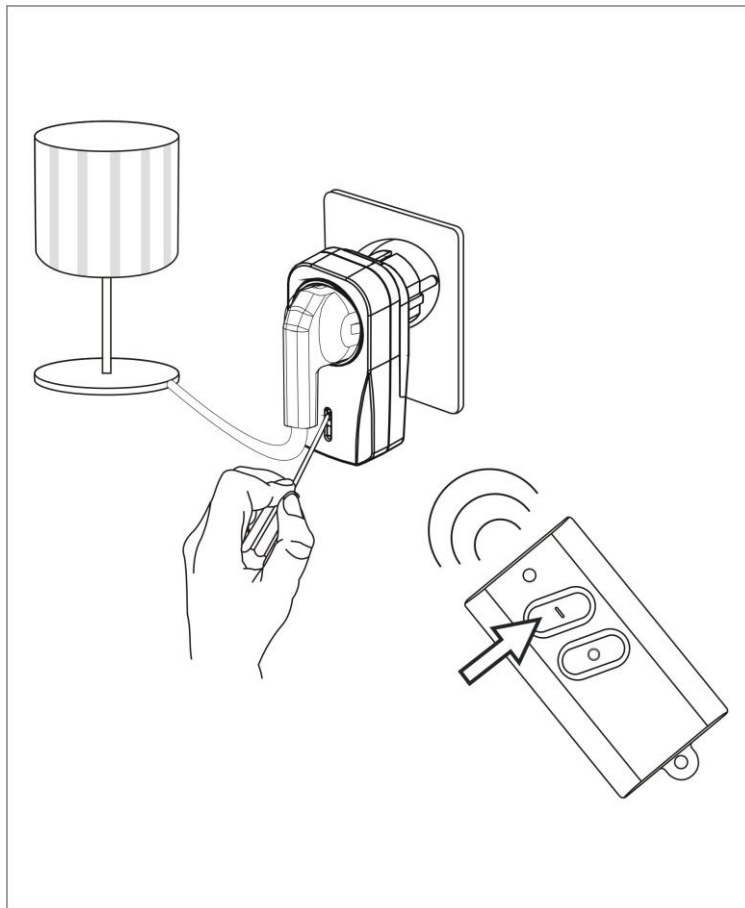
Overview:

On / Off / Dimmer handy remote keychain.

Pairing:

Pairing using **LEARNING MODE**:

1. First choose the desired receiver(s) that you wish to control.
2. On the receiver press the '**Learn**' button once (LED will flash), this will now enter learning mode.
3. With the remote keychain press the '**On**' button; the load will flash twice to confirm that the remote keychain is now paired.



NOTE: Learning mode lasts for 12 seconds; if no signal is given to the receiver then it will automatically exit learning mode without pairing the device.

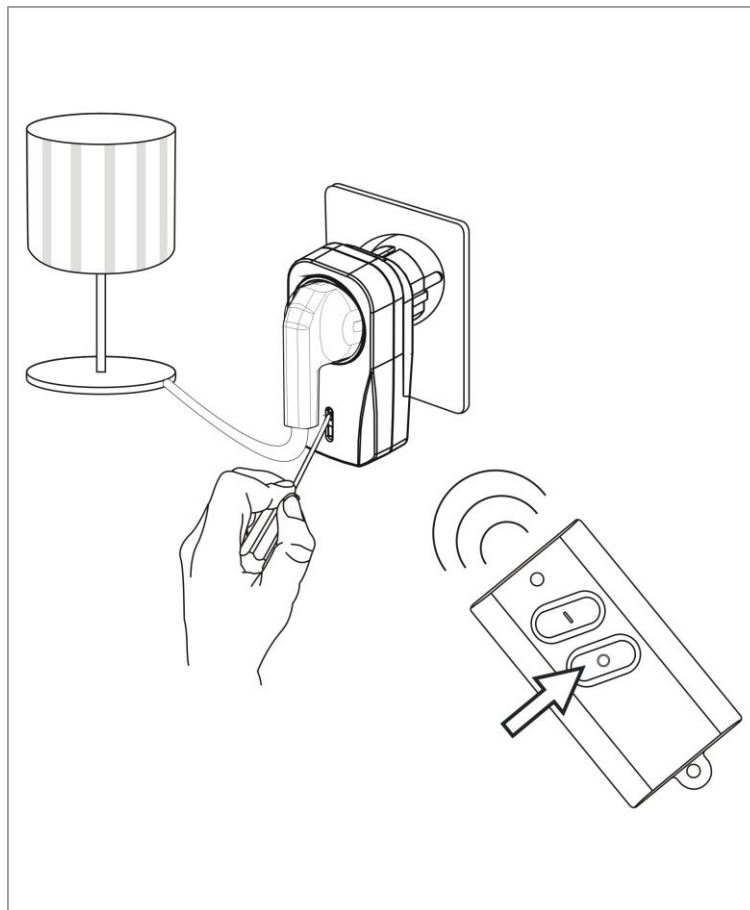
To exit learning mode manually, simply press the '**Learn**' button again.

! If, during learning mode the load does not flash to confirm, this means the receiver's memory is **FULL** and no further remote control may be paired unless one of the existing remote control is first unpaired (see below).

Un-pairing:

Removing single device:

1. With the receiver that you intent to un-pair press the '**Learn**' button once (LED will flash), this will now enter learning mode.
2. With the remote keychain press the '**Off**' button; the load will flash twice to confirm that the remote keychain is now un-paired.

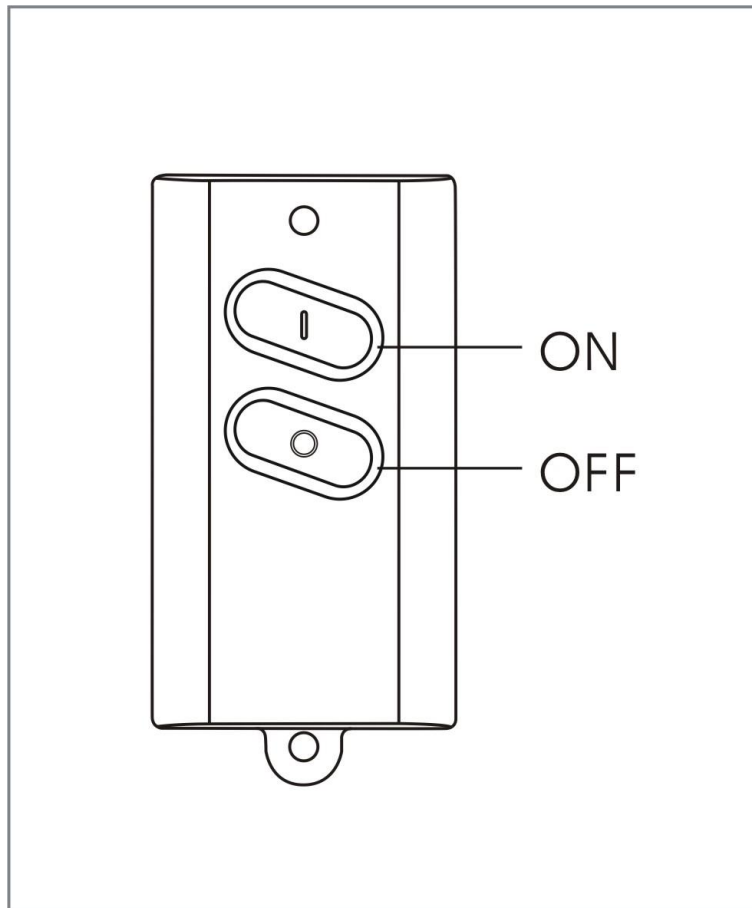


Operation:

ON/OFF Function:

Press '**On**' button to turn On the load.

Press '**Off**' button to turn Off the load.



Dimmer Function:

※ Dimmer level dims in cycle.

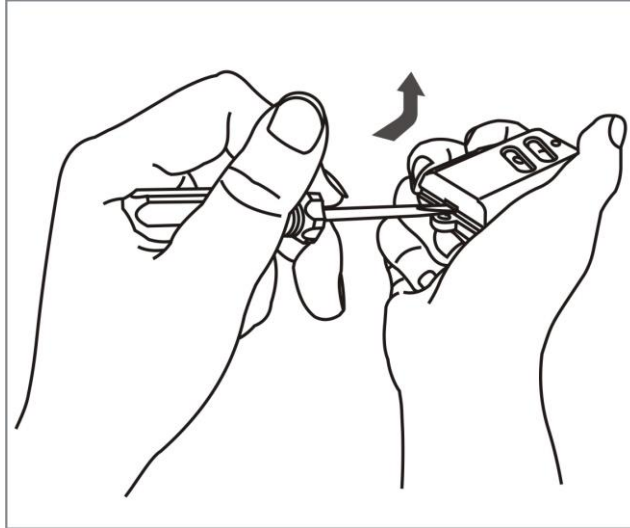
1. Make sure the load is switched On.
2. On the remote keychain press the '**On**' button again, the load(s) will start to dim.
3. To stop at the desired brightness level, press the '**On**' button again.
! If no signal is given within 『4 cycles』, the load will then stop at 100% brightness.
4. If load is switched Off, the next time switching On the load will return to the previous stipulated brightness.

Battery replacement:

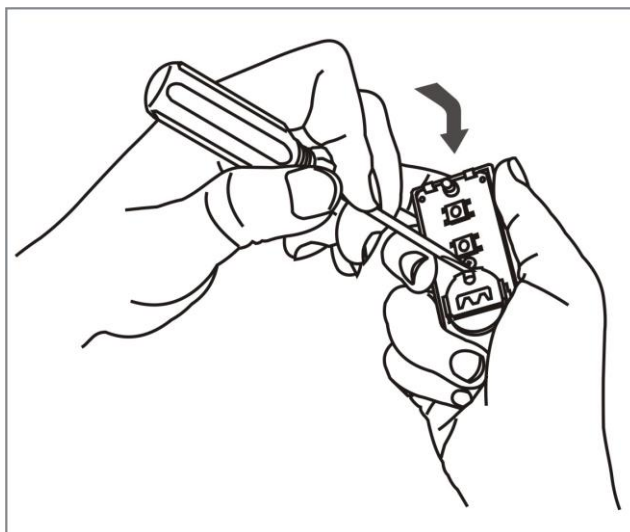
3V CR2032 lithium battery is included.

When the battery voltage is low, the transmission range will be reduced accordingly.

1. Insert small flat headed screw driver and twist open



2. Gently push out the battery.



3. Replace fresh battery making sure ' + ' positive terminal is facing up.
4. Gently close the cabinet together making sure a click sound is heard.

Troubleshoot:

Problem: The LED on remote keychain does not light up.

Solution: Please check if the battery is inserted correctly or replace a new battery.

Problem: I cannot pair my remote keychain with the receiver.

Solution: The memory on receiver is full, please delete one or more memory and try pairing again.