

# Wireless 2 Channel Wall Switch Module

WBT-912



## Specification:

Function: On / Off / Dimmer  
Frequency: 433.92MHz  
Battery: 3V CR2032 lithium cell battery (included)

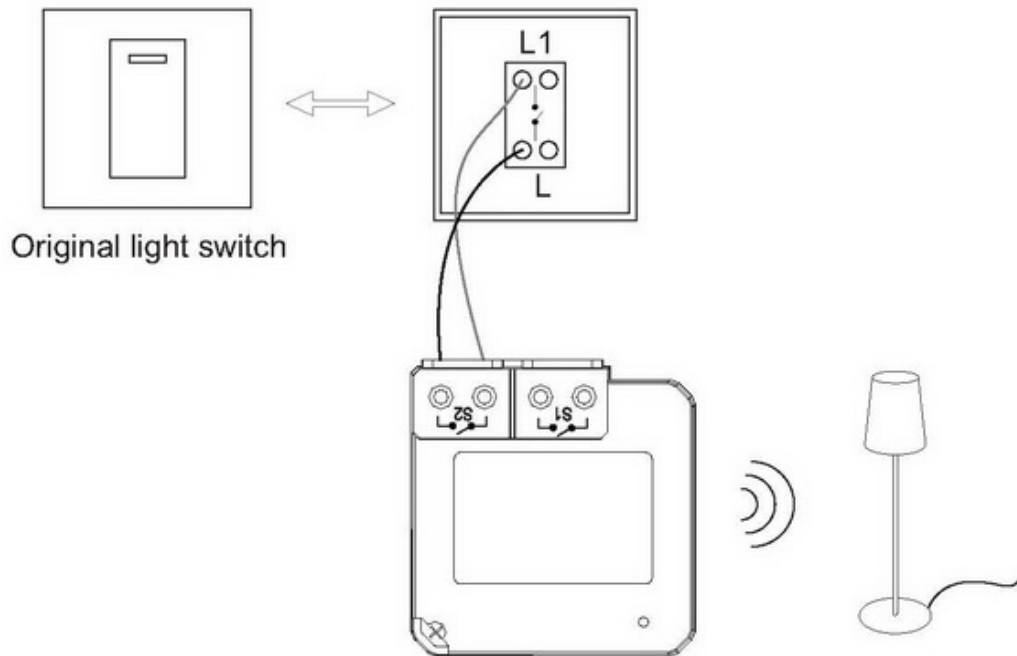
## Overview:

This unique transmitter module allows you to combine with any light switch and install in an empty standard wall box, DC type, dry contact without any 230V wiring. You can have the desire to keep your original wall switch.

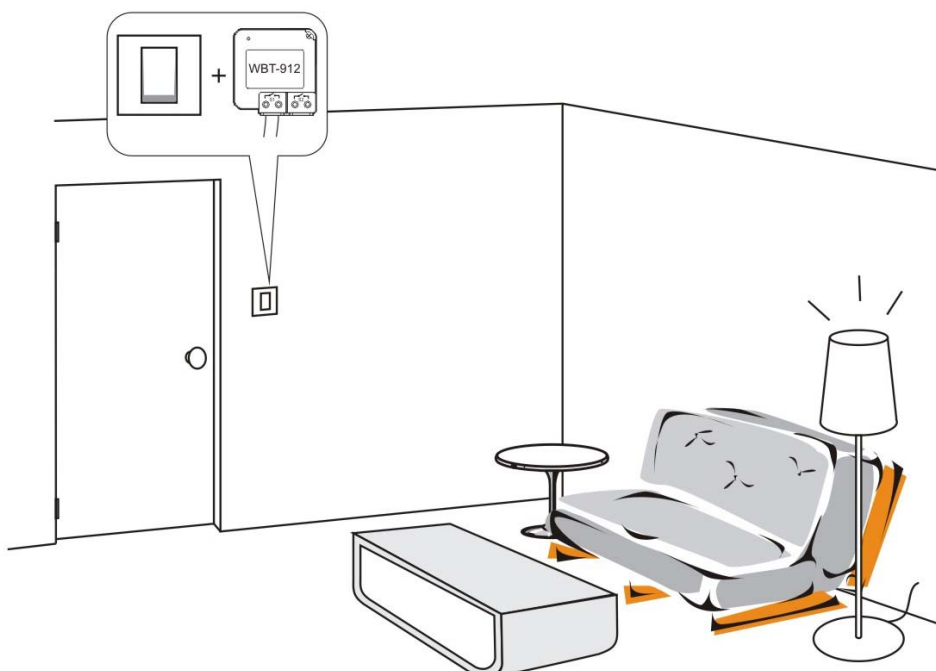
## Application and Wiring:

### Connecting to 1 channel

Install behind a wall switch. Do not connect to mains power, only connect the wall switch with the grey cables of the wall switch module.



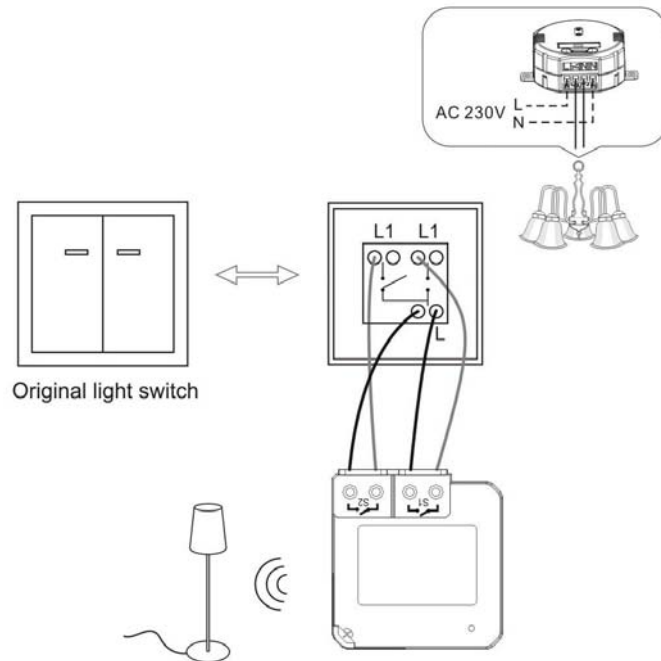
First time wiring an ON signal will be transmitted and the LED will light up. To complete the pairing process please refer to below 'Pairing Section'.



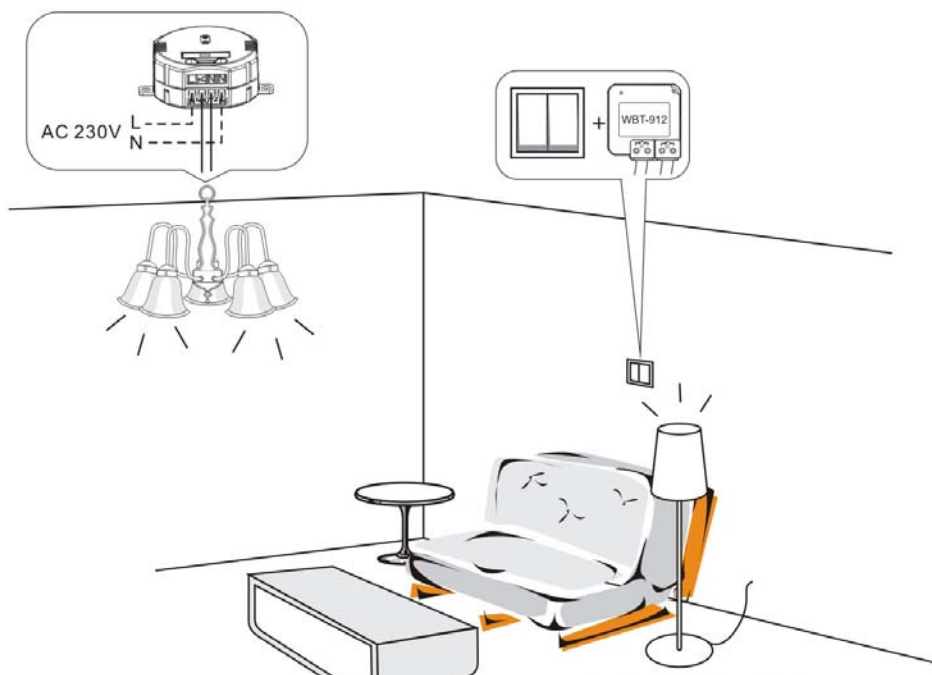
### Connecting to 2 channel

The wall switch module has 2 separate channels, this way you can use both buttons of the wall switch separately.

Install behind a wall switch. Do not connect to mains power, only connect the wall switch with the grey cables of the wall switch module.



First time wiring an ON signal will be transmitted and the LED will light up. To complete the pairing process please refer to below 'Pairing Section'.



## **Pairing:**

Pairing using **LEARNING MODE**:

1. First choose the desired receiver(s) that you wish to control.
2. Press the '**Learn**' button once (LED will flash), this will now enter learning mode.
3. On the wall switch press the '**ON**' button intended to be paired; the load will flash twice to confirm that the remote control is now paired.

**NOTE:** Learning mode lasts for 12 seconds; if no signal is given to the receiver then it will automatically exit learning mode without pairing the device.

To exit learning mode manually, simply press the '**Learn**' button again.

! If, during learning mode the load does not flash to confirm, this means that the receiver's memory is **FULL** and no further wall switch may be paired unless one of the existing wall switch is first unpaired (see below).

## **Unpairing:**

Removing single device:

1. With the receiver that you intent to un-pair press the '**Learn**' button once (LED will flash), this will now enter learning mode.
2. On the wall switch press the '**OFF**' button intended to be unpaired; the load will flash twice to confirm that the wall switch is now unpaired.

## **Operation:**

ON/OFF Function:

Press the '**ON**' button on wall switch, the lights will gradually illuminate.

Press the '**OFF**' button on wall switch, the light will gradually turn OFF.

Dimming Function:

1. Make sure the load (light) is switched ON.
  2. On the wall switch press the ON button again, the loads will start to dim.
  3. To stop at the desired brightness level, press the ON button again.
- ※ Dimming level dims in cycle, during the cycle if no signal is given 『 with 4 cycles it will stop at 100% brightness 』 .

! After setting a dim level using the wall switch the light is then switched OFF, the next time that the light is switched back ON again the load (light) will return to the previous stipulated brightness.

**NOTE:**

1. Using in conjunction with another remote control.

When load is first switched ON from the wall switch module then switched off by a remote control.

In order from the wall switch module to switch ON the load you must switch OFF and then switch

ON again.

2. Two way switching.

You may set up 2 wall switch module for the corridor, this will allow you to switch the same load ON and OFF with 2 different wall switch.

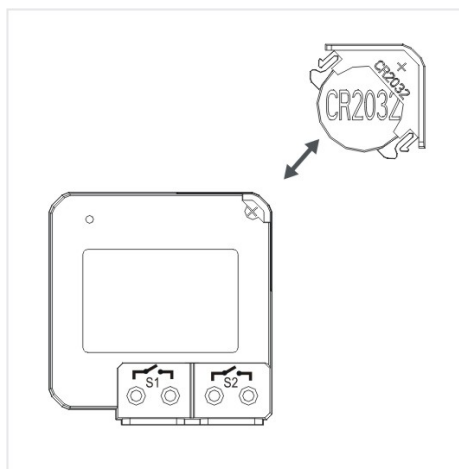
It is as simple as pairing the 2 wall switch module to the same receiver.

### **Battery Replacement:**

3V CR2032 lithium battery is included.

When the battery voltage is low, the transmission range will be reduced accordingly.

Take out battery compartment and replace fresh new CR2032 cell battery.



### **Troubleshoot:**

**Problem:** I cannot pair my wall switch with the receiver.

**Solution:** The memory on receiver is full, please delete one or more memory and try pairing again.