



MANUAL



WIRELESS MINI DIMMER SOCKET SWITCH PLUG MYCR-100A

CONTENTS

1. Overview and features	Page 2.
2. Pairing / Un-pairing device	Page 3.
3. Minimum brightness setup	Page 8.
4. Specifications	Page 9.

1. Overview and features

Transform your electronic devices to wireless control with the compact dimmer socket switch plug.

All you need to do is plug the socket switch into an electrical outlet, plug a device into the socket switch, and control your device wirelessly using a remote control.

Main features;

- Compatible to L and M series.
- 100W dimmer universal load control.
- Plugs into any regular electrical wall outlet.
- Intuitive, easy set up. Plug and play.
- Operating mode under Trailing Edge.
- Minimum brightness setup for different kinds of dimmer loads.
- 32 memories, first in first out storage maintain.
- Memory of last brightness level.
- Scene status memory, create your desired atmosphere.



Not compatible to:

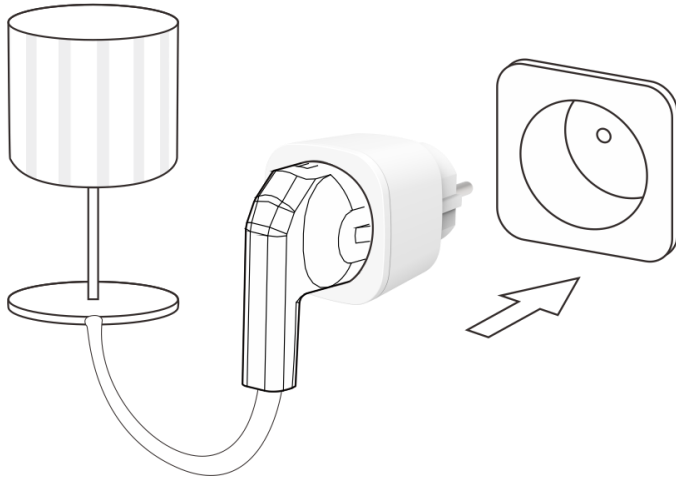
ARC Code switch system product range

2. Pairing / Un-pairing Device

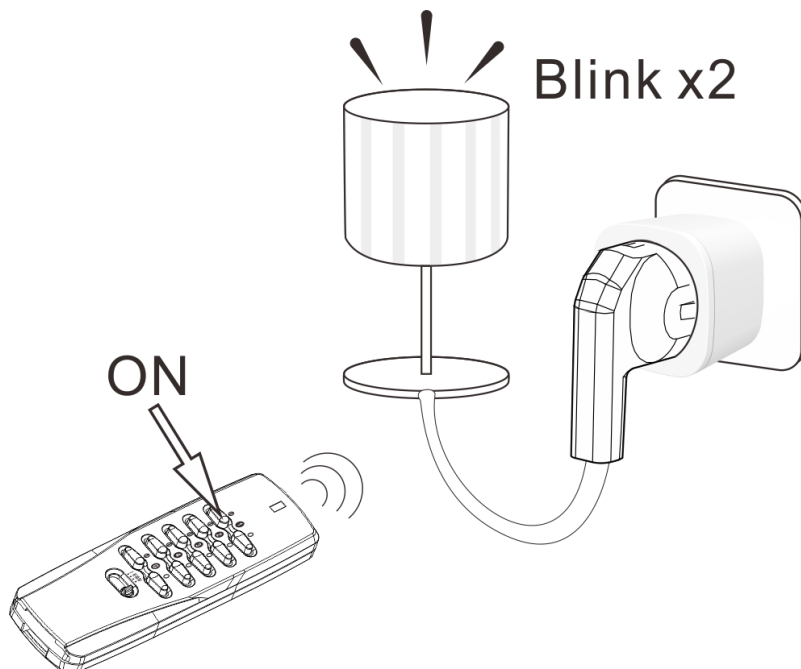
PAIRING

Pairing using **LEARNING MODE**:

1. Plug in lamp / electronic device into socket switch then socket switch into an electrical outlet



2. Within 6 seconds, on the remote control press the 'ON' button intend to be paired; load will flash twice to confirm that the remote control is now paired.

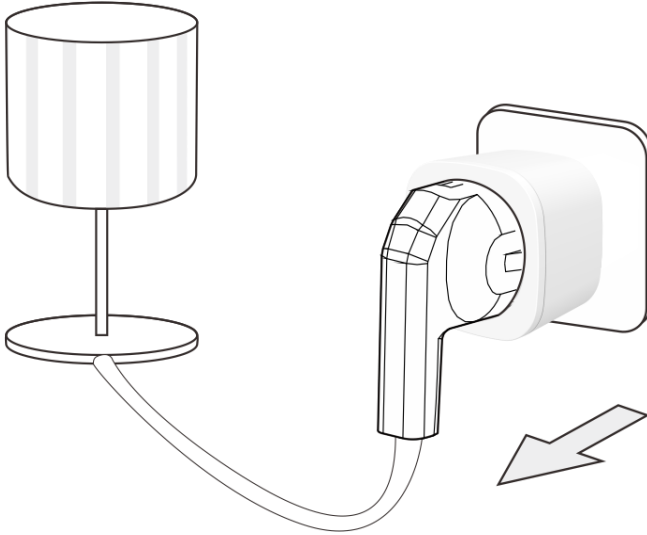


NOTE: If no signal is received from a remote control within 6 seconds then the socket switch will automatically exit learning mode without pairing the device.

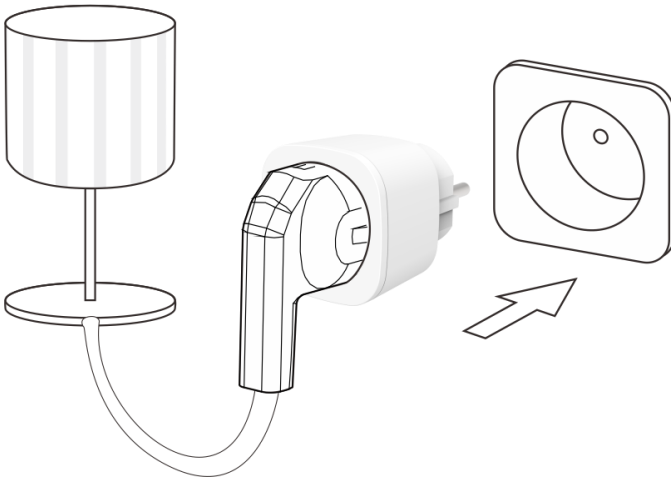
UN-PAIRING

Removing single Device:

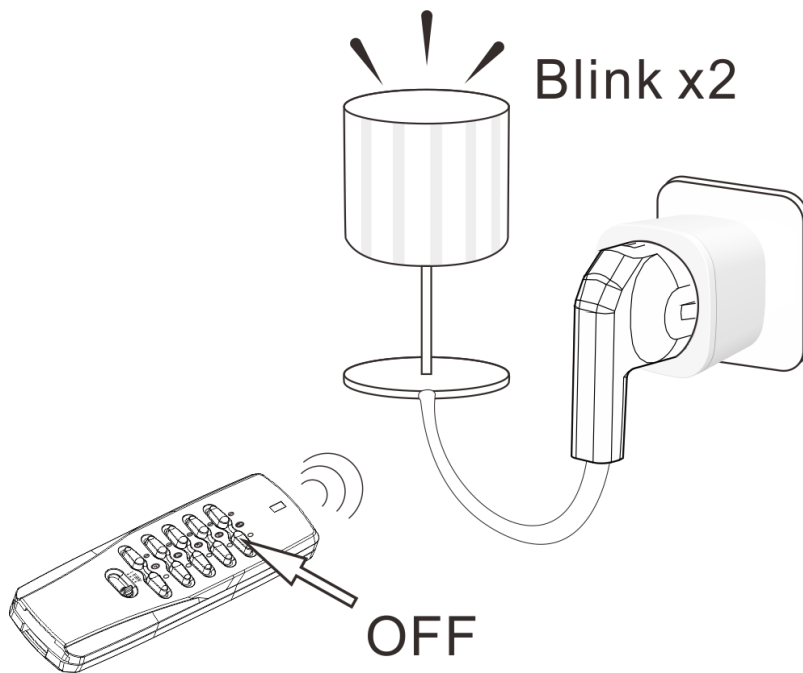
1. Unplug socket switch from the electrical outlet for at least 6 seconds.



2. Plug socket switch back into electrical outlet.



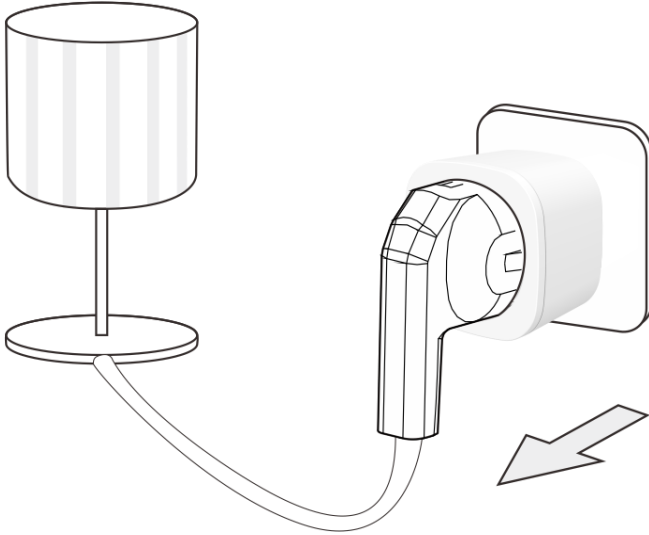
3. Within 6 seconds, on the remote control press the **'OFF'** button intend to be un-paired; load will flash twice to confirm that the remote control is un-paired.



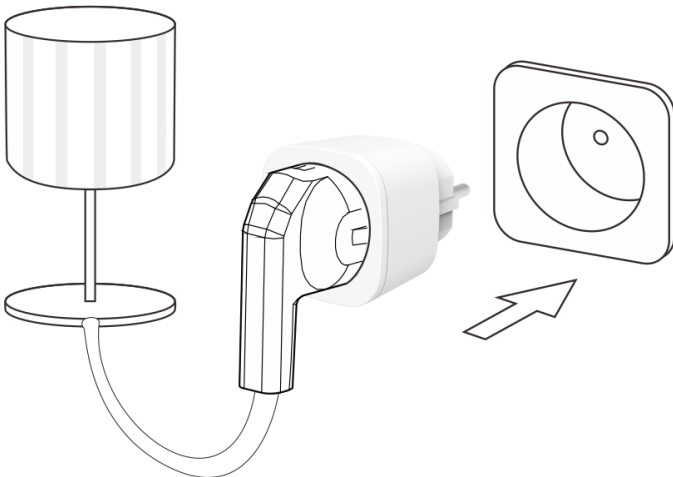
CLEARING ALL MEMORY

Removing all memory stored in the socket switch.

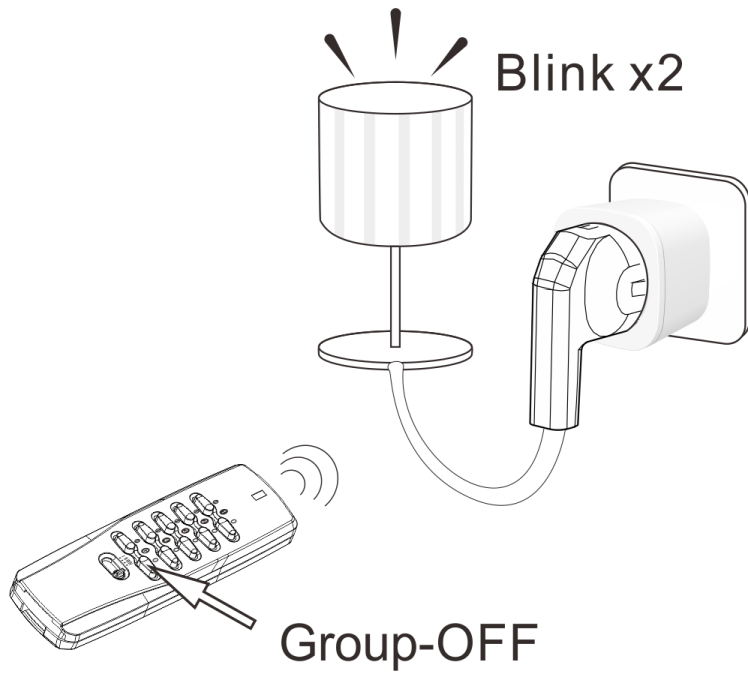
1. Unplug socket switch from the electrical outlet for at least 6 seconds.



2. Plug socket switch back into electrical outlet.



3. Within 6 seconds, on the remote control press the **'ALL OFF / GROUP ALL'** button; load will flash twice to confirm all memory stored inside the socket switch has been deleted.



3. Minimum Brightness Level Setup

Socket switch has the ability to setup minimum brightness level.

There are total 4 level brightness to choose from.

To adjust the brightness level, please follow below setup.

With a remote control (LYCT-505)

1. Enter into Learning mode (socket switch into an electrical outlet)
2. With the remote-control press and hold down 'ON' button for 3 seconds.
3. Load will flash twice to confirm it is now ready to setup minimum brightness.
4. Use the remote control and press 'ON' to dim up on level or press 'OFF' button to dim down one level. There are only 4 levels to adjust.
5. Once you have decided the brightness level, hold down 'ON' button for 3 seconds.
6. Load will flash twice and resume to the lowest dim level. This completes the brightness level setup.

With a one button remote control (MKFT-1704 / MEBT-1706)

1. Enter into Learning mode (socket switch into an electrical outlet)
2. With the remote-control press and hold down 'ON/OFF' button for 3 seconds.
3. Load will flash twice to confirm it is now ready to setup minimum brightness.
4. Use the remote control and press 'ON/OFF' button once to dim up on level or press 'ON/OFF' button twice to dim down one level. There are only 4 levels to adjust.
5. Once you have decided the brightness level, hold down 'ON/OFF' button for 3 seconds.
6. Load will flash twice and resume to the lowest dim level. This completes the brightness level setup.

4. Specifications

Input Rating:	230V~50Hz
Output Rating:	100W Max. (Resistive Load) 100W Max. (Incandescent and halogen lamps) 50W Max. (Dimmable energy saving lamps) 50W Max. (Dimmable LED)
Radio Frequency:	433.92MHz
Power consumption:	<1W
Environment Temperature:	0-40 °C
Range:	up to 50 m indoors (Depends on building materials)
In accordance with:	Low Voltage Directive 2014/35/EU RED Directive 2014/53/EU
CE Certification:	The CE marked affixed to this product confirms its compliance with the European Directives which apply to the product and in particular its compliance with the harmonized standards and specifications.
Dimension (L x W x H)	48 x 48 x 51mm
Weight:	60 g

