

# Starter Kit Remote Plug-in Adaptor

PD3-2300



## Specification:

Function: Remote: 3 Channel / All Off button  
Plug-in adaptor: 2300W ON/OFF  
Frequency: 433.92MHz  
Power Rating: 230V~ 50Hz  
2300W Resistive load  
Battery: 3V CR2032 Lithium Cell Battery

## Overview:

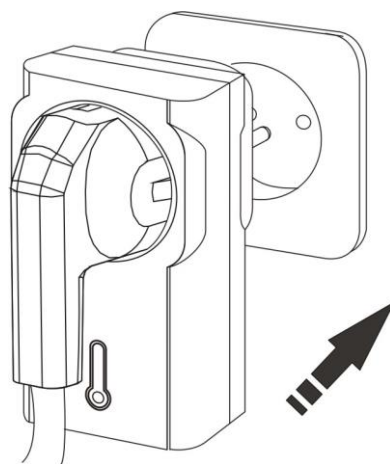
Starter kit for controlling your lights or electrical device. Each plug-in adaptor can store up to 3 memories.

3 set of ON/OFF button and additional 'All Off' button.

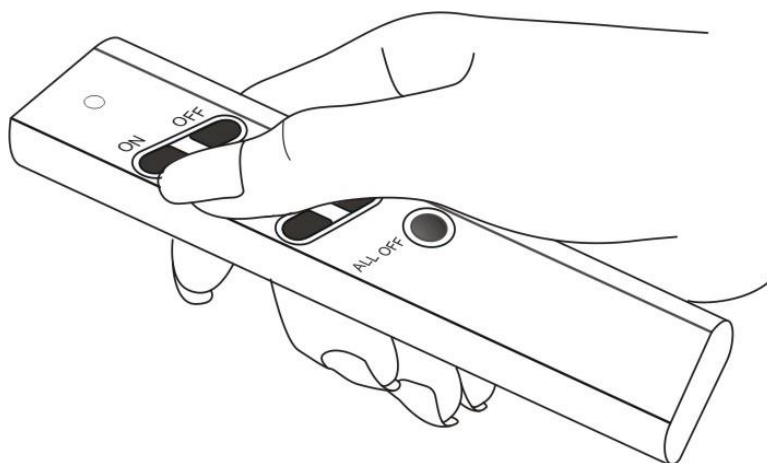
## Pairing:

Pairing using **LEARNING MODE**:

1. Plug adaptor into a socket (LED will flash), this will now enter learning mode.



2. Within the 5 seconds, with the remote control press the ‘ON’ button intended to be paired; the load will flash twice to confirm that the remote control is now paired.



**NOTE:** Learning mode lasts for 10 seconds; if no signal is given to the receiver then it will automatically exit learning mode without pairing the device.

! If, during learning mode the load does not flash to confirm, this means that the receiver’s memory is **FULL** and no further remote control may be paired unless one of the existing remote control is first unpaired (see below).

### **Unpairing:**

Removing single device:

1. Pull out the adaptor from socket, after 5 seconds plug adaptor back into socket (LED will flash), this will now enter learning mode.
2. Within the 5 seconds, with the remote control press the ‘OFF’ button intended to be unpaired; the load will flash twice to confirm that the remote control is now unpaired.

Removing all devices:

1. Pull out the adaptor from socket, after 5 seconds plug adaptor back into socket (LED will flash), this will now enter learning mode.
2. Within the 5 seconds, with the remote control press the ‘ALL OFF’ button intended to be

unpaired; the load will flash twice to confirm that all remote control is now unpaired.

## Operation:

ON/OFF Function:

Press the 'ON' button on remote control, the lights will gradually illuminate.

Press the 'OFF' button on remote control, the light will gradually turn OFF.

All off Function:

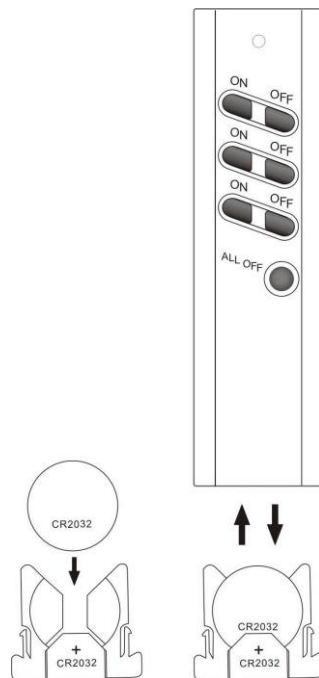
Press the 'All off' button on remote control, all lights will gradually turn off.

## Battery Replacement:

3V CR2032 lithium battery is included.

When the battery voltage is low, the transmission range will be reduced accordingly.

Slide down battery cover and with a screw driver push out the battery.



## Troubleshoot:

**Problem:** The LED on remote control does not light up.

**Solution:** Please check if the battery is inserted correctly or replace a new battery.

**Problem:** I cannot pair my remote control with the receiver.

**Solution:** The memory on receiver is full, please delete one or more memory and try pairing again.